

Installation Instructions

VERY IMPORTANT

- INSTALL **DIRECTLY** OVER CLIENT'S HEAD
- INSTALL AT **HEIGHT** UNITS WERE BUILT FOR

**This is a constant counterbalance system
Not a cord rewind device*

Connecting and disconnecting the dryer

To Connect

Align registration marks and insert dryer end into Freestylist end.



Push together to connect



Inner cylinder slides over connector



To Disconnect

Retract inner cylinder and pull apart



Installation Location and Adjustments

Important things to know about your Freestylist® support system

Electrical Power Requirement - Each 110-120V systems should be on its own 15amp dedicated circuit. 220-240V systems should be on its own 13amp dedicated circuit. GFI circuit breakers may be required in some areas.

Proper location makes all the difference - The Freestylist should always be installed so the dryer is suspended directly above the client's head when seated. Location instructions should be followed carefully.

Proper installation height - The Freestylist is manufactured for your specific installation height. After you and the Freestyle Systems specialist have determined your proper installation height, do not deviate from it. If you need to change the height, it must be done before the Freestylist is manufactured to your salon specifications. The installation height for the Freestylist is between 7' 6" and 12 feet from the floor. **DO NOT INSTALL ABOVE 12'** except for the suspended kits, which can be installed at 12' 6". Light Platforms need to be installed between 8' and 10' for optimal performance.

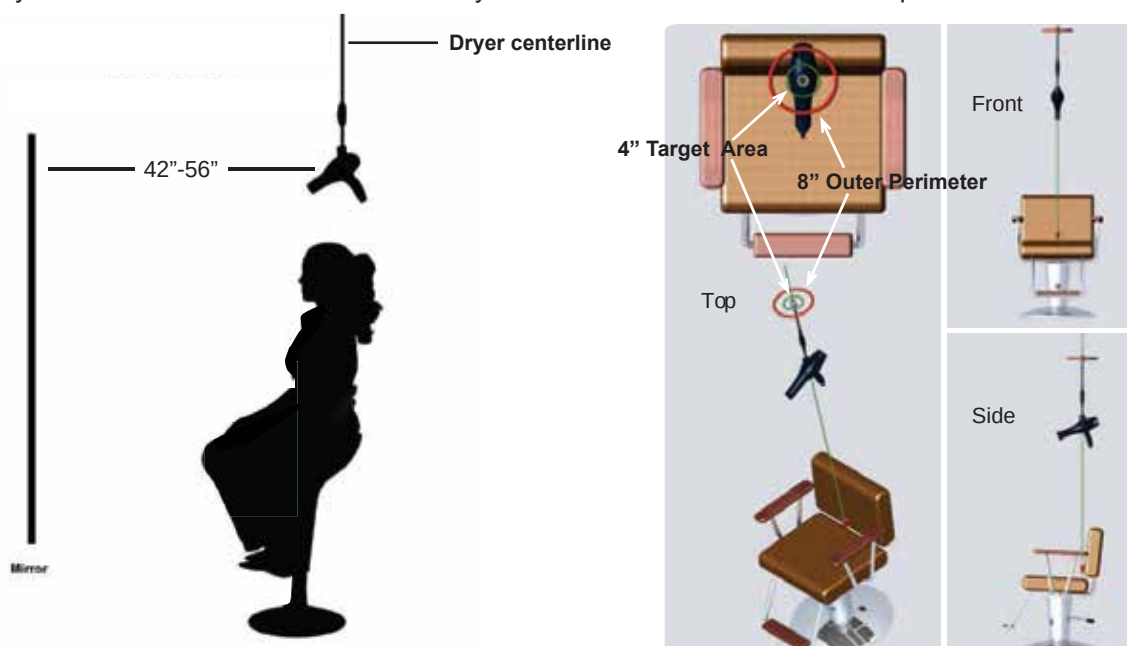
Proper "weight" adjustment - Extensive testing has shown that the dryer should be adjusted so it floats downward very slowly when you let go of it at chest height. Your Freestylist is adjusted at the factory to this specification. If you want to change this or any other factory setting, pay close attention to the instructions in this booklet for adjusting your Freestylist.

Proper "resting position" height adjustment - The Freestylist is equipped with internal height adjustment capabilities for the "resting position". The Freestylist is installed at the predetermined installation height, but it can be easily adjusted for short or tall people. Adjustment instructions are included in this booklet. The Freestylist is equipped with a brake that engages when the dryer is raised to its resting position. (Note: The resting position is where the brake engages preventing the dryer from inadvertently drifting downward and electrical power to the dryer is turned off by the Freestylist).

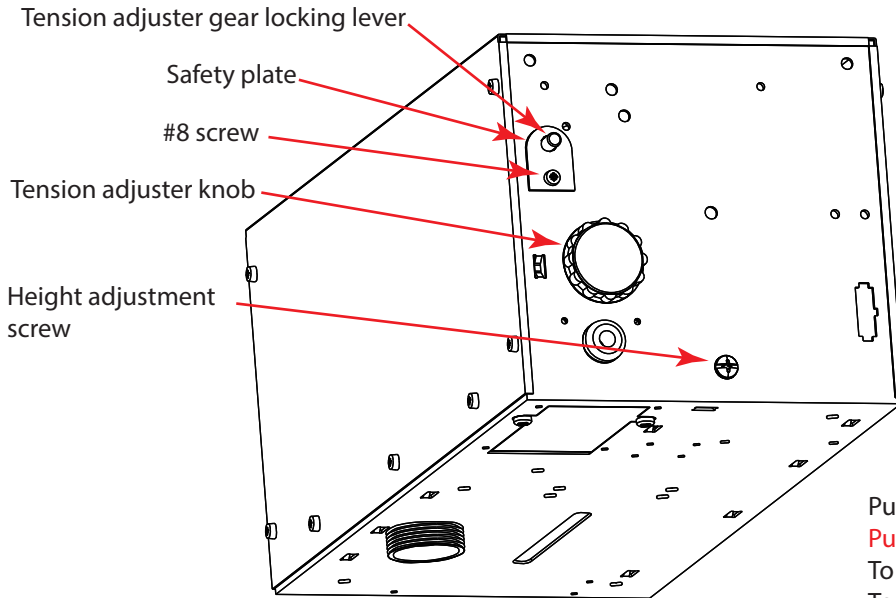
Planning a new Salon? - Make sure your architect or designer knows exactly where your styling chairs will be. This will allow them to provide an unobstructed installation location. Installing in an existing salon? Check above each styling chair for possible installation obstructions.

Dryer location instructions

1. Dryer should be suspended directly above client's head.
2. The suggested MINIMUM distance from the mirror is 42".
3. Proper positioning of the Freestylist Support system is critical for proper product performance! Install the Freestylist installation kit so the cord guide exit hole is within the 4" target area.
4. The Freestylist should never be installed so the dryer cord falls outside of the 8" outer perimeter.



MA440 Adjustment



Tension Adjustments

Proper adjustment is when you pull the dryer down to chest height, let go of it, it should float down like a feather. To make changes first remove the #8 phillips head screw. Remove safety plate. Rotate the tension knob counterclockwise to tighten the internal spring. To loosen the spring **hold onto the tension knob tightly**. Depress the locking lever and gently let the knob turn clockwise, reengage the locking lever. **If you accidentally let go of the adjuster knob when the locking lever is down the internal spring will unwind and you will have to rewind it.** Reinstall the safety plate when adjustments are complete.

Height Adjustments

Pull the dryer down to chest height to make adjustments. **Pulling the dryer down will avoid possible internal damage.** To raise the dryers resting height rotate screw counterclockwise. To lower the dryers resting height rotate the screw clockwise. Every full turn will change the resting height by 1-1/2". Keep lifting the dryer up until the cord goes slack to check on your progress until the desired height is obtained.

RA770 Adjustments



To perform all adjustments:

1. Pull dryer down. (note: adjustments must be made with dryer lowered from its normal resting position)
2. Switch dryer off.
3. Aim remote control directly at the remote control receiver in the ceiling. (note: blue light will blink to indicate adjustment is in progress on remote control)

To adjust the height of dryer resting position:

1. Pull dryer down
2. Aim remote directly at remote control receiver in ceiling
3. Press and hold **up arrow** – raises resting position
4. Press and hold **down arrow** – lowers resting position
5. Lift dryer up to the new resting position.

To adjust the feel (or weight) of your dryer:

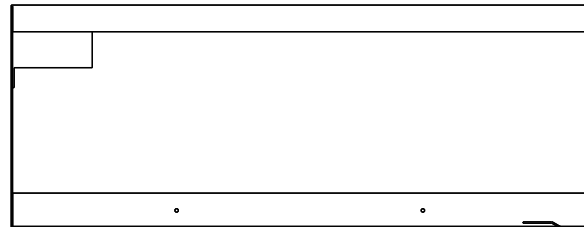
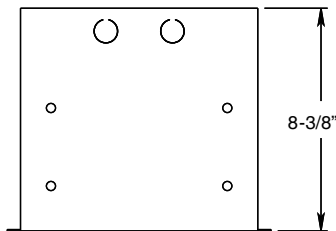
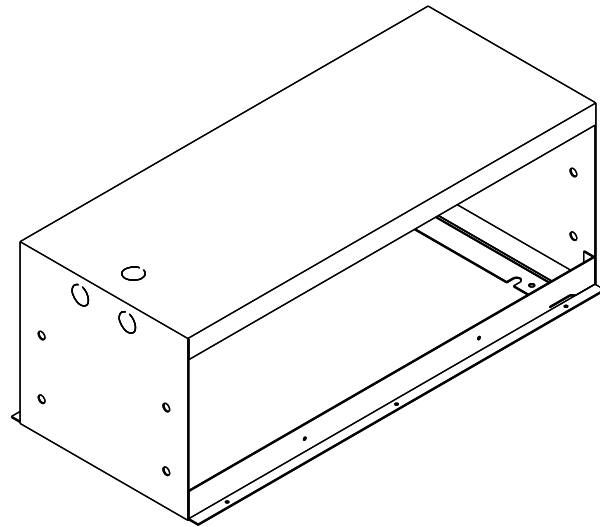
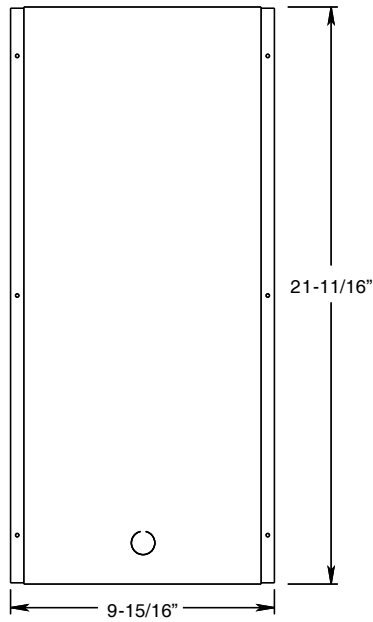
1. Pull dryer down.
2. Aim remote directly at remote control receiver in ceiling.
3. Press **+ button** for a few seconds to create a tighter feel.
4. Press **- button** for a few seconds to create a looser feel.

To pair your remote control if needed:

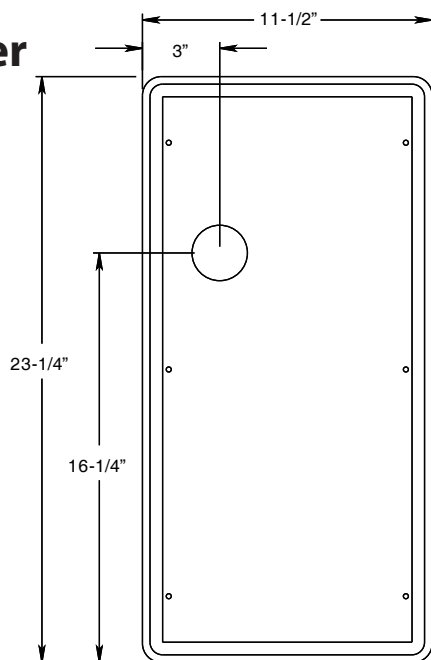
1. Pull your dryers cord all the way out until it stops
2. After a few second you will hear a audible alarm
3. Press any of the 4 buttons on your Freestyle remote, the sound will stop.
4. Raise the dryer up, your Freestyle remote is paired
5. If not replace the 2 CR2016 batteries

Rough-in Kit

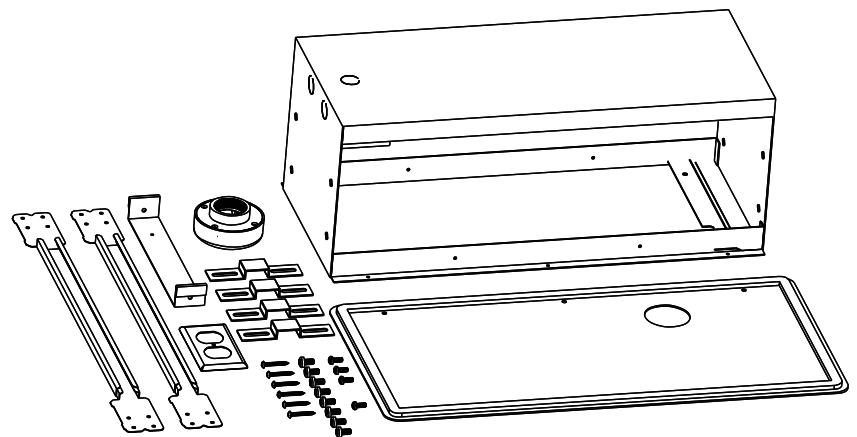
Frame



Cover



Parts



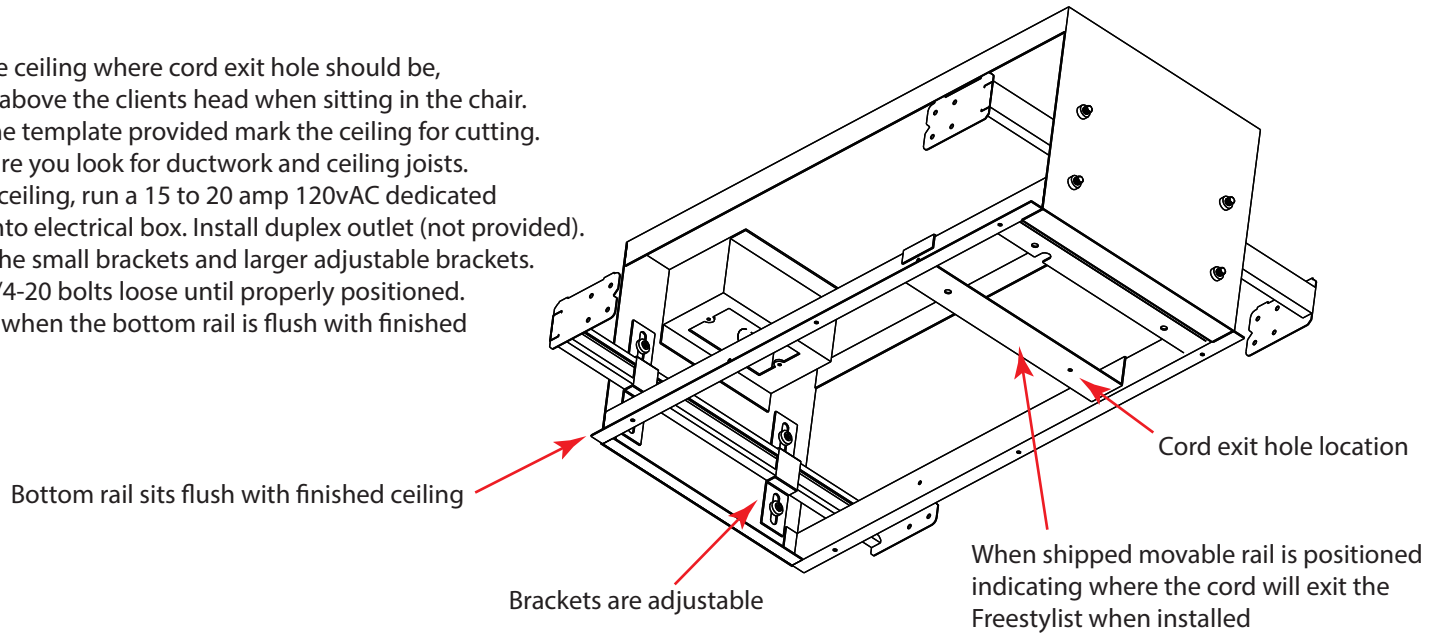
Parts provided

- Frame
- Movable rail
- 4 small brackets
- 8 1/4-20 screws to attach small brackets
- 1 ground screw
- Receptacle cover
- 2 adjustable brackets
- 6 8 x 1-1/4 pan head screws for cover
- 3 10-32 screws to attach Freestylist to frame
- Cover

Assembled installation kit

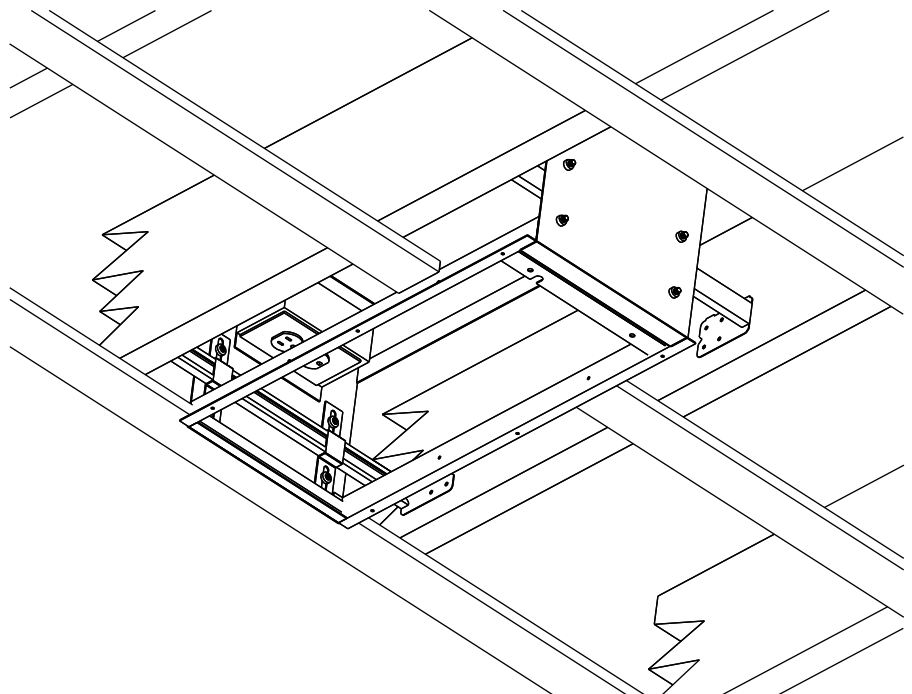
Step 1

Mark the ceiling where cord exit hole should be, directly above the clients head when sitting in the chair. Using the template provided mark the ceiling for cutting. Make sure you look for ductwork and ceiling joists. Cut the ceiling, run a 15 to 20 amp 120vAC dedicated circuit into electrical box. Install duplex outlet (not provided). Attach the small brackets and larger adjustable brackets. Leave 1/4-20 bolts loose until properly positioned. Tighten when the bottom rail is flush with finished ceiling.



Step 2

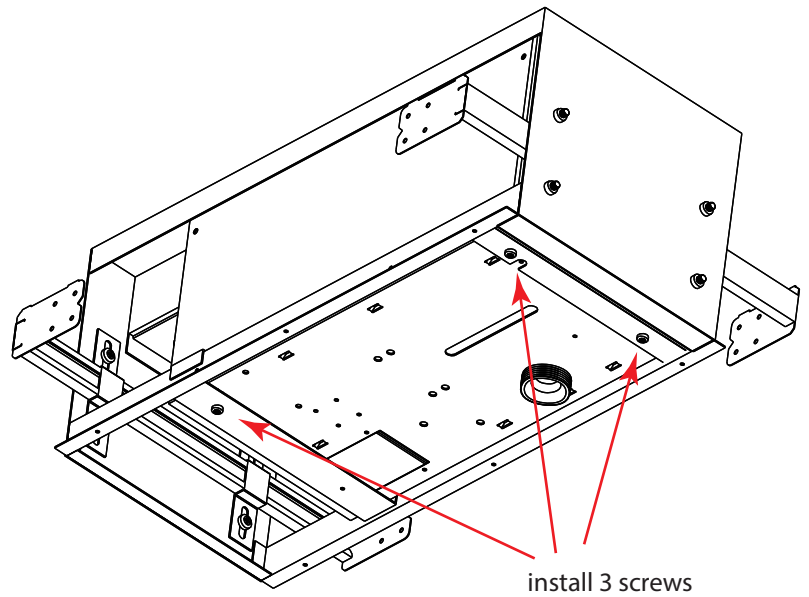
The movable rail can be removed. It will be used to support the end of the Freestylist when finishing installation.



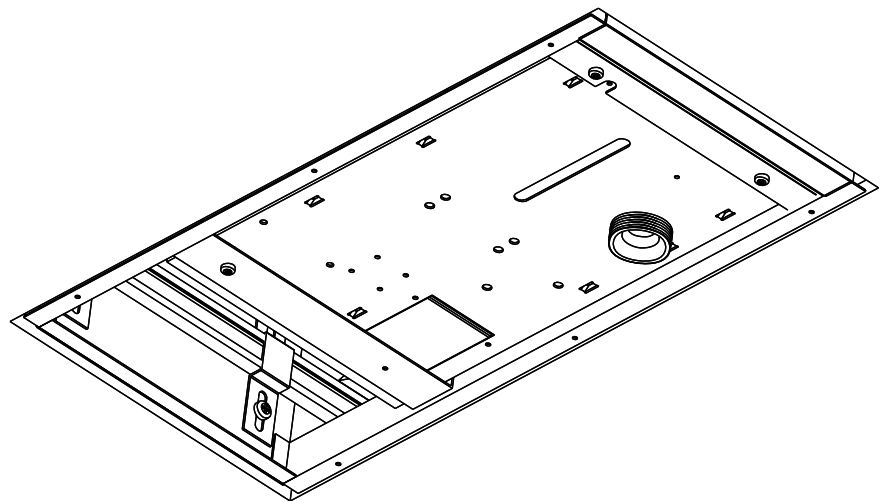
Shown without the dryer cord and ceiling for clarity

Step 3

Place Freestylist into installation frame as shown.
 Slide movable rail under Freestylist.
 Attach using three 10-32 screws, provided.
 Plug in Freestylist.
 If using a MA440 Freestylist make sure all
 adjustments for the height are correct.

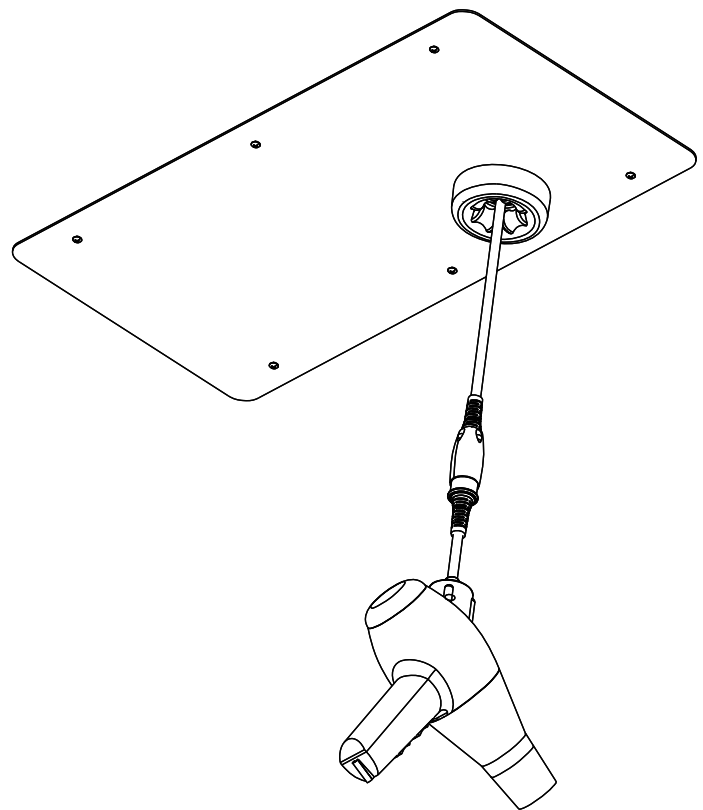
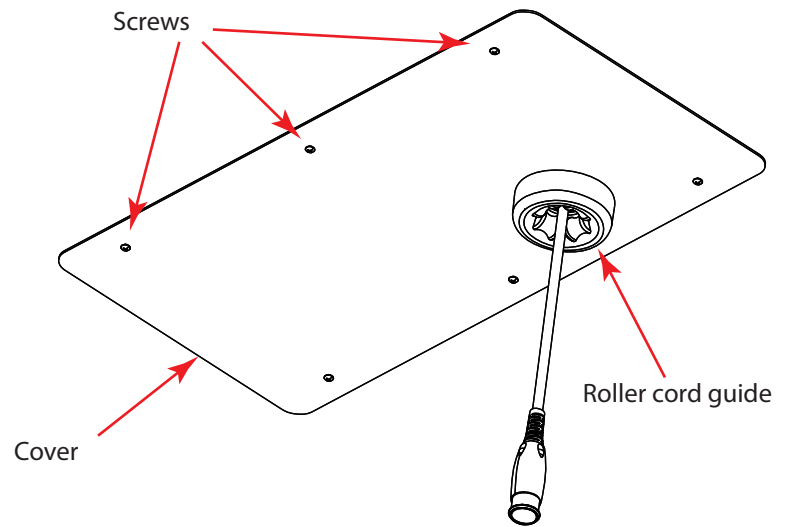


**This is what it looks like in the ceiling before
 the cover is installed**



Step 4

Install cover with 6 #8 screws provided
 Thread on roller cord guide.
 Attach dryer



MA440 - RA770 Freestylist Specifications

Power

Input: 110-125VAC, 60hz
 Circuit protection: 15 amps
 Usage while adjusting RA770: 0.3 amps
 Dryer Load - Nominal: 13 amps

Certifications

UL Standard 355
 UL Standard 498
 CSA STD C22.2 NO.21 & NO.308

Physical

Case: Steel
 Size: 7.9"H x 8.4"W x 16.4"L (20 x 21.3 x 41.7 cm)
 Weight MA440: 19LBS (8.61 kg)
 Weight RA770: 22LBS (9.97 kg)

MA440HV - RA770HV Freestylist Specifications

Power

Input: 220-240VAC, 50hz
 Circuit protection: 13 amps
 Usage while adjusting RA770HV: 0.2 amps
 Dryer Load - Nominal: 7 amps

Certifications

UL Standard 355
 UL Standard 498
 CSA STD C22.2 NO.21 & NO.308

Physical

Case: Steel
 Size: 7.9"H x 8.4"W x 16.4"L (20 x 21.3 x 41.6 cm)
 Weight MA440HV: 19LBS (8.6 kg)
 Weight RA770HV: 22LBS (9.9 kg)

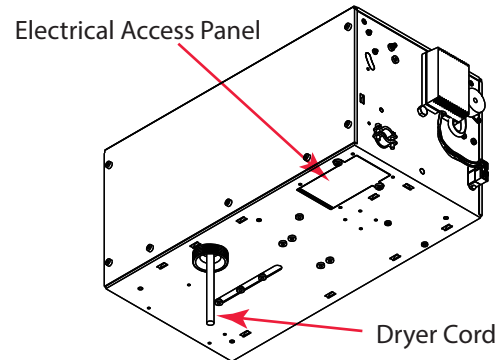
Performance (all models)

Max. Installation Height: 12'6" (381 cm)
 Min. Installation Height: 7'2" (218 cm)
 Max. Dryer Travel: 82" (208 cm)
 Highest Dryer Resting Height: 7'2" (218 cm)
 Lowest Dryer Resting Height: 4'4" (132 cm)
 Max. Dryer Weight: 40 oz (1,133 g)
 Min. Dryer Weight: 14 oz (396 g)
 Adjusted Dryer Weight: 0 oz (0 g)

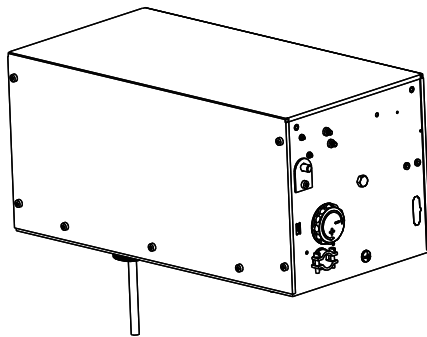


Intertek
 3102209

CONFORMS TO
 UL STD 355, UL STD 498
 CERTIFIED TO
 CSA STD C22.2 NO.21 & NO.308



MA440 & MA440HV



RA770 & RA770HV

