

## Installation Instructions

### **VERY IMPORTANT**

- INSTALL **DIRECTLY** OVER CLIENT'S HEAD
- INSTALL AT **HEIGHT** UNITS WERE BUILT FOR

*\*This is a constant counterbalance system  
Not a cord rewind device*

# Connecting and disconnecting the dryer

## To Connect

Align registration marks and insert dryer end into Freestylist end.



Push together to connect



Inner cylinder slides over connector



## To Disconnect

Retract inner cylinder and pull apart



## Installation Location and Adjustments

### Important things to know about your Freestylist® support system

**Electrical Power Requirement** - Each 110-120V systems should be on its own 15amp dedicated circuit. 220-240V systems should be on its own 13amp dedicated circuit. GFI circuit breakers may be required in some areas.

**Proper location makes all the difference** - The Freestylist should always be installed so the dryer is suspended directly above the client's head when seated. Location instructions should be followed carefully.

**Proper installation height** - The Freestylist is manufactured for your specific installation height. After you and the Freestyle Systems specialist have determined your proper installation height, do not deviate from it. If you need to change the height, it must be done before the Freestylist is manufactured to your salon specifications. The installation height for the Freestylist is between 7' 6" and 12 feet from the floor. **DO NOT INSTALL ABOVE 12'** except for the suspended kits, which can be installed at 12' 6". Light Platforms need to be installed between 8' and 10' for optimal performance.

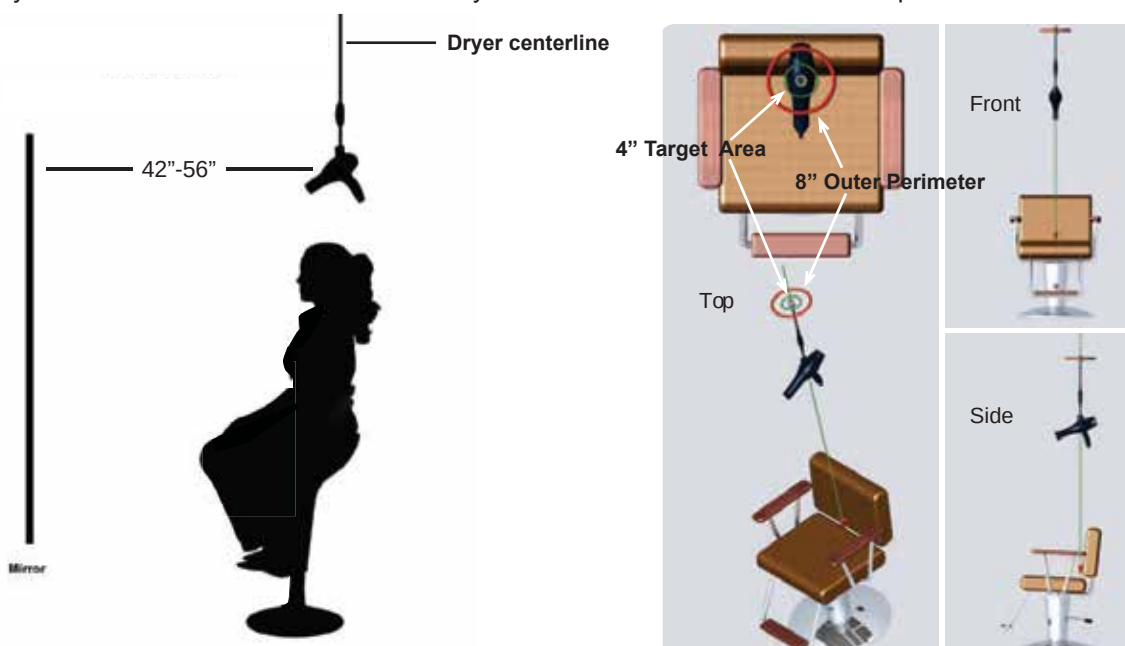
**Proper "weight" adjustment** - Extensive testing has shown that the dryer should be adjusted so it floats downward very slowly when you let go of it at chest height. Your Freestylist is adjusted at the factory to this specification. If you want to change this or any other factory setting, pay close attention to the instructions in this booklet for adjusting your Freestylist.

**Proper "resting position" height adjustment** - The Freestylist is equipped with internal height adjustment capabilities for the "resting position". The Freestylist is installed at the predetermined installation height, but it can be easily adjusted for short or tall people. Adjustment instructions are included in this booklet. The Freestylist is equipped with a brake that engages when the dryer is raised to its resting position. (Note: The resting position is where the brake engages preventing the dryer from inadvertently drifting downward and electrical power to the dryer is turned off by the Freestylist).

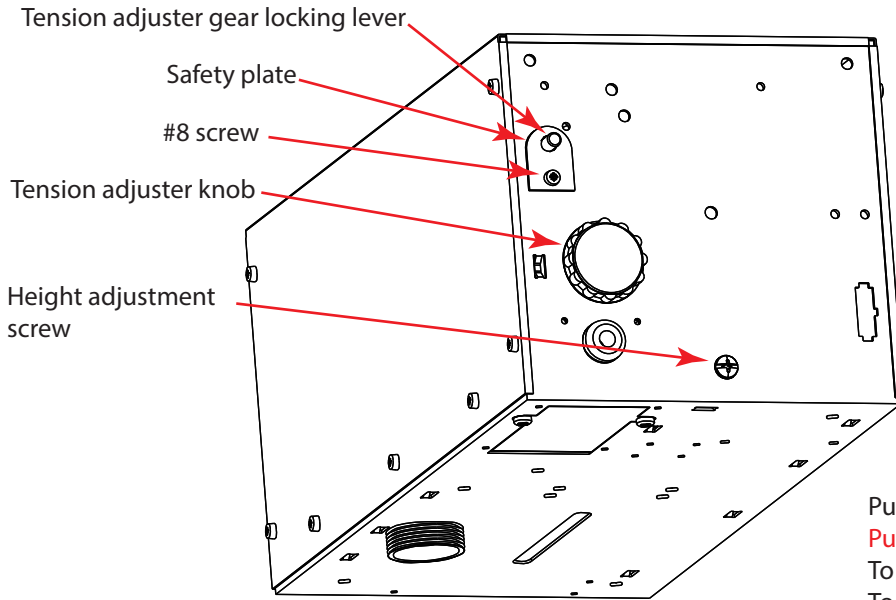
**Planning a new Salon?** - Make sure your architect or designer knows exactly where your styling chairs will be. This will allow them to provide an unobstructed installation location. Installing in an existing salon? Check above each styling chair for possible installation obstructions.

### Dryer location instructions

1. Dryer should be suspended directly above client's head.
2. The suggested MINIMUM distance from the mirror is 42".
3. Proper positioning of the Freestylist Support system is critical for proper product performance! Install the Freestylist installation kit so the cord guide exit hole is within the 4" target area.
4. The Freestylist should never be installed so the dryer cord falls outside of the 8" outer perimeter.



## MA440 Adjustment



### Tension Adjustments

Proper adjustment is when you pull the dryer down to chest height, let go of it, it should float down like a feather. To make changes first remove the #8 phillips head screw. Remove safety plate. Rotate the tension knob counterclockwise to tighten the internal spring. To loosen the spring **hold onto the tension knob tightly**. Depress the locking lever and gently let the knob turn clockwise, reengage the locking lever. **If you accidentally let go of the adjuster knob when the locking lever is down the internal spring will unwind and you will have to rewind it.** Reinstall the safety plate when adjustments are complete.

### Height Adjustments

Pull the dryer down to chest height to make adjustments. **Pulling the dryer down will avoid possible internal damage.** To raise the dryers resting height rotate screw counterclockwise. To lower the dryers resting height rotate the screw clockwise. Every full turn will change the resting height by 1-1/2". Keep lifting the dryer up until the cord goes slack to check on your progress until the desired height is obtained.

## RA770 Adjustments



### To perform all adjustments:

1. Pull dryer down. (note: adjustments must be made with dryer lowered from its normal resting position)
2. Switch dryer off.
3. Aim remote control directly at the remote control receiver in the ceiling. (note: blue light will blink to indicate adjustment is in progress on remote control)

### To adjust the height of dryer resting position:

1. Pull dryer down
2. Aim remote directly at remote control receiver in ceiling
3. Press and hold **up arrow** – raises resting position
4. Press and hold **down arrow** – lowers resting position
5. Lift dryer up to the new resting position.

### To adjust the feel (or weight) of your dryer:

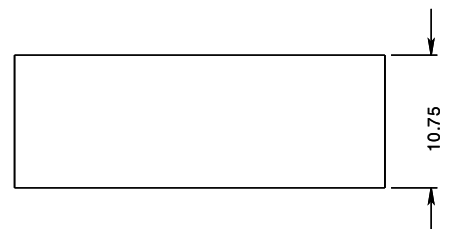
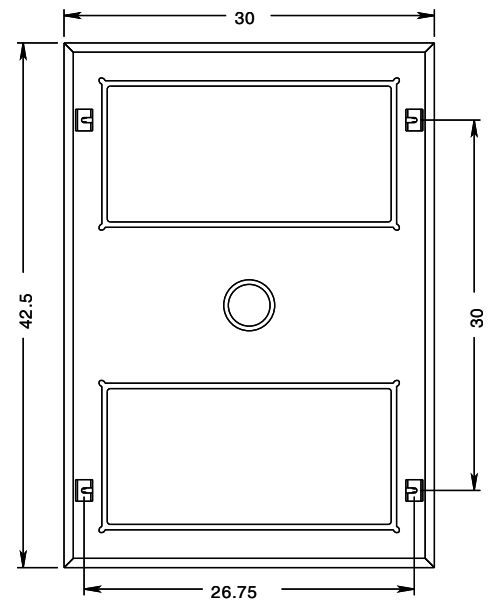
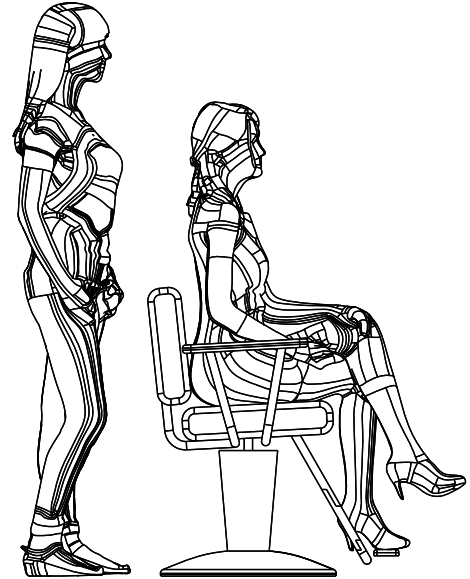
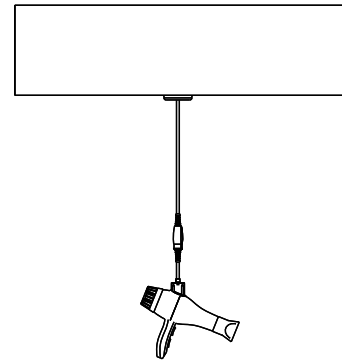
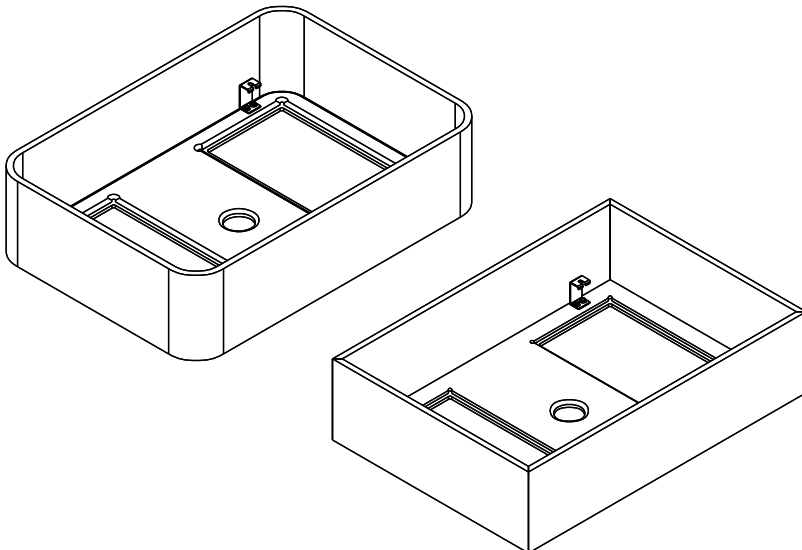
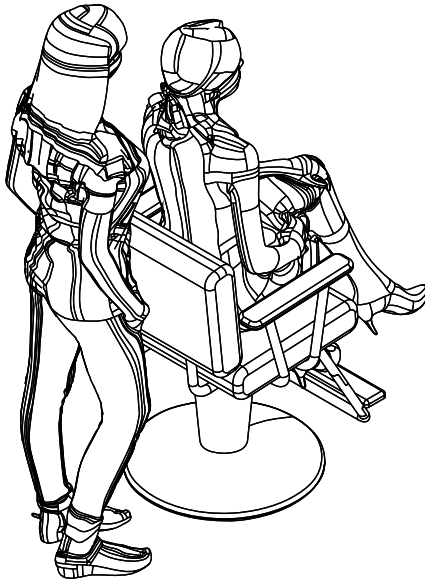
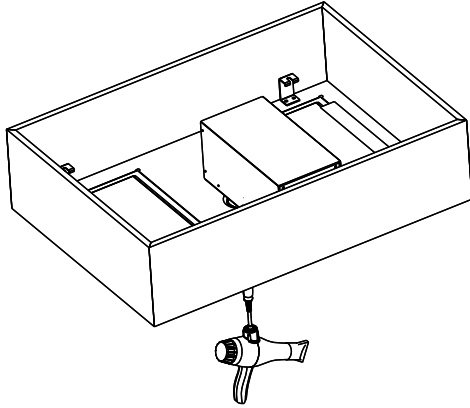
1. Pull dryer down.
2. Aim remote directly at remote control receiver in ceiling.
3. Press **+ button** for a few seconds to create a tighter feel.
4. Press **- button** for a few seconds to create a looser feel.

### To pair your remote control if needed:

1. Pull your dryers cord all the way out until it stops
2. After a few second you will hear a audible alarm
3. Press any of the 4 buttons on your Freestyle remote, the sound will stop.
4. Raise the dryer up, your Freestyle remote is paired
5. If not replace the 2 CR2016 batteries

# Installation Orientation & Dimensions

- The dryers cord must be directly above the clients head when seated in stylists chair.
- The light must be orientated over stylists head as shown. The light platform can be mounted directly to the ceiling or suspended from a higher ceiling.



# HIGH CEILING INSTALLATION

1. Mark the exact location of the dyers cord on the floor.

Tip. Place styling chair where it will be used, have someone sit in the chair. Mark the floor directly under the center of the persons head.

2. Place light platform on the ground and center the exit hole for the dryer over the mark on the floor.

3. Use a plum laser to mark the location of the supports you are going to attach to. You can use supports at 90° from what is shown.

4. Attach superstrut or wood to ceiling or suspend it down with threaded rod.

5. Mark location for the 4 threaded rods.

6. If using strut, insert 4 Superstrut 3/8 channel nuts. If using wood, drill a hole where threaded rod needs to go.

7. Hang treaded rod and cut 2" shorter than floor to the bottom of the light platforms intended installation height.

8. Measure from where the PVC pipe touches the bottom of the strut or wood. Cut the PVC 4-6" shorter than bottom of the threaded rod.

9. Slide PVC pipe over threaded rod, slide on large square washer, small washer and 3/8" nut. Tighten until the PVC Pipe is rigid. This will reduce sway (**It is important to make the light platform so it doesn't sway or float**).

10. Lift light platform and attach as shown.

11. Place Freestylist and light in place.

\* If using a MA220 make sure the height and weight adjustments are satisfactory before putting light in place.

You will need,

2 pieces of superstrut A-1200 or equivalent or wooden supports.

4 pieces of 3/8 - 16 threaded rod. Length depends on ceiling height.

4 pieces of 1-1/4" PVC pipe, schedule 40 or 80.

Wiring recommendation,

The Freestylist needs to be on a dedicated 15-20 amp breaker. Needs a outlet for the Freestylist to plug into, normally placed in the light platform.

The lights **have** to be hardwired on a seperate lighting circuit.

Lights are 120VAC and uses 25 watts each.

50 watts total.

Acceptable dimmers for the light,

Lutron C.L. Family - Gen. 2.0 or above

Lutron MACL-153M

Lutron NTCL-250

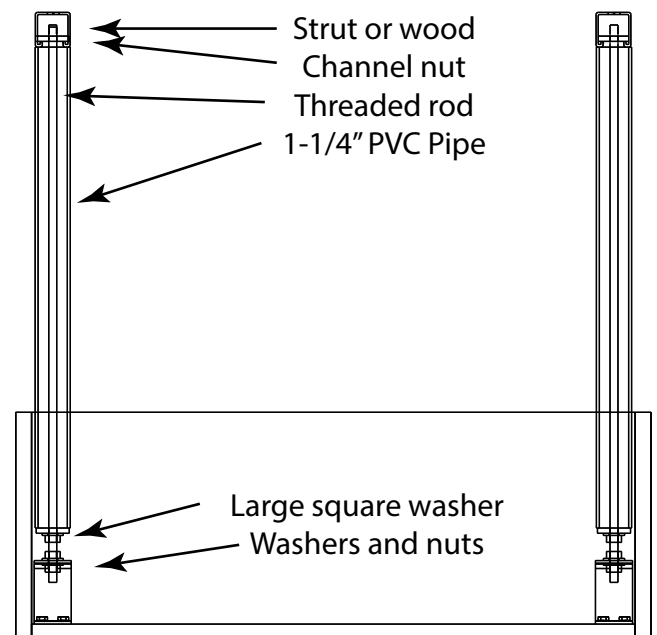
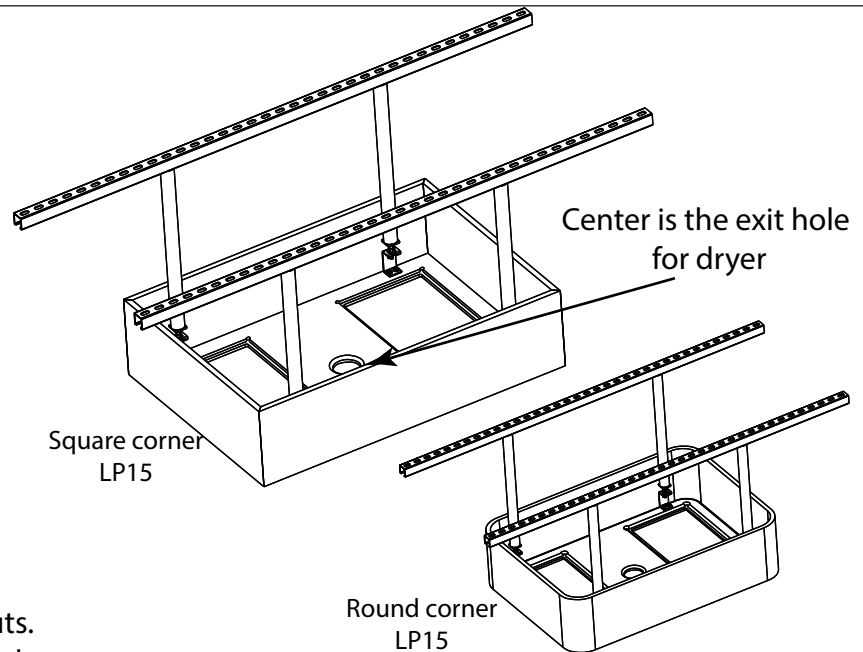
Lutron SELV-300P

Lutron PD-6WCL

Leviton 6674

Cooper TAL06P-C1

LeGrand ADTP703TU



# SEQUENCE

**3rd**

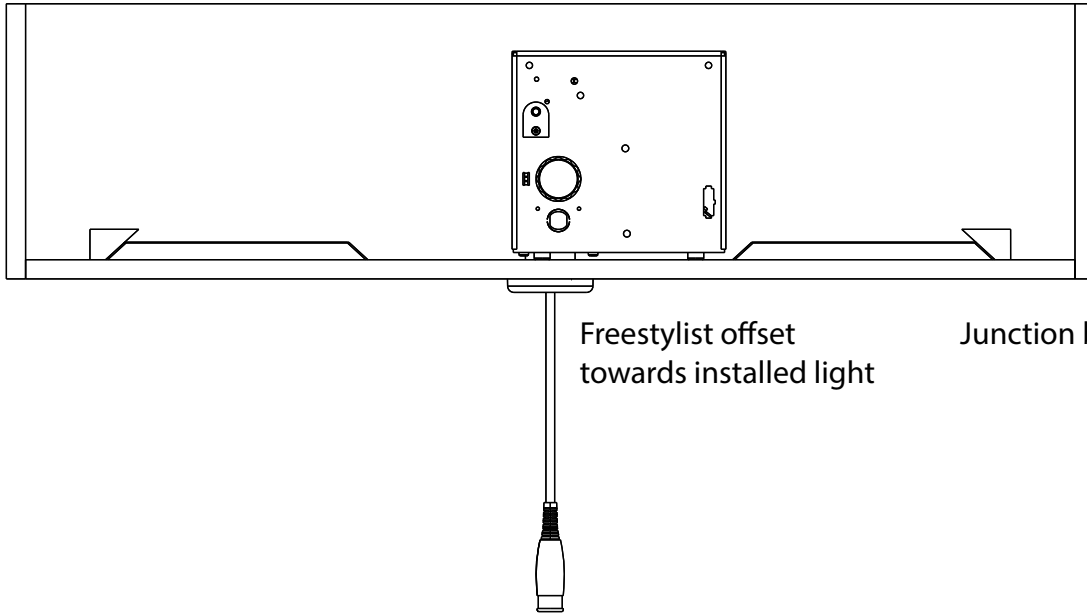
Install 2nd light

**2nd**

Install Freestlist  
in this orientation

**1st**

Install light with junction box  
towards outside first



### MA440 - RA770 Freestylist Specifications

**Power**

Input: 110-125VAC, 60hz  
 Circuit protection: 15 amps  
 Usage while adjusting RA770: 0.3 amps  
 Dryer Load - Nominal: 13 amps

**Certifications**

UL Standard 355  
 UL Standard 498  
 CSA STD C22.2 NO.21 & NO.308

**Physical**

Case: Steel  
 Size: 7.9"H x 8.4"W x 16.4"L (20 x 21.3 x 41.7 cm)  
 Weight MA440: 19LBS (8.61 kg)  
 Weight RA770: 22LBS (9.97 kg)

### MA440HV - RA770HV Freestylist Specifications

**Power**

Input: 220-240VAC, 50hz  
 Circuit protection: 13 amps  
 Usage while adjusting RA770HV: 0.2 amps  
 Dryer Load - Nominal: 7 amps

**Certifications**

UL Standard 355  
 UL Standard 498  
 CSA STD C22.2 NO.21 & NO.308

**Physical**

Case: Steel  
 Size: 7.9"H x 8.4"W x 16.4"L (20 x 21.3 x 41.6 cm)  
 Weight MA440HV: 19LBS (8.6 kg)  
 Weight RA770HV: 22LBS (9.9 kg)

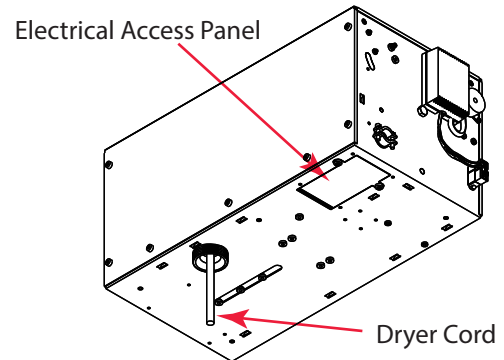
### Performance (all models)

Max. Installation Height: 12'6" (381 cm)  
 Min. Installation Height: 7'2" (218 cm)  
 Max. Dryer Travel: 82" (208 cm)  
 Highest Dryer Resting Height: 7'2" (218 cm)  
 Lowest Dryer Resting Height: 4'4" (132 cm)  
 Max. Dryer Weight: 40 oz (1,133 g)  
 Min. Dryer Weight: 14 oz (396 g)  
 Adjusted Dryer Weight: 0 oz (0 g)

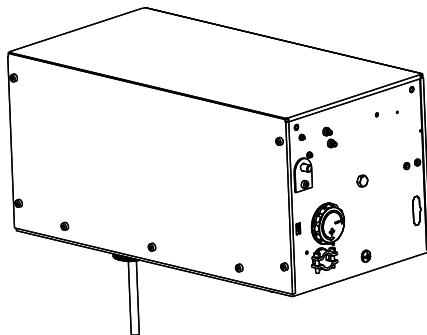


**Intertek**  
 3102209

CONFORMS TO  
 UL STD 355, UL STD 498  
 CERTIFIED TO  
 CSA STD C22.2 NO.21 & NO.308



**MA440 & MA440HV**



**RA770 & RA770HV**

